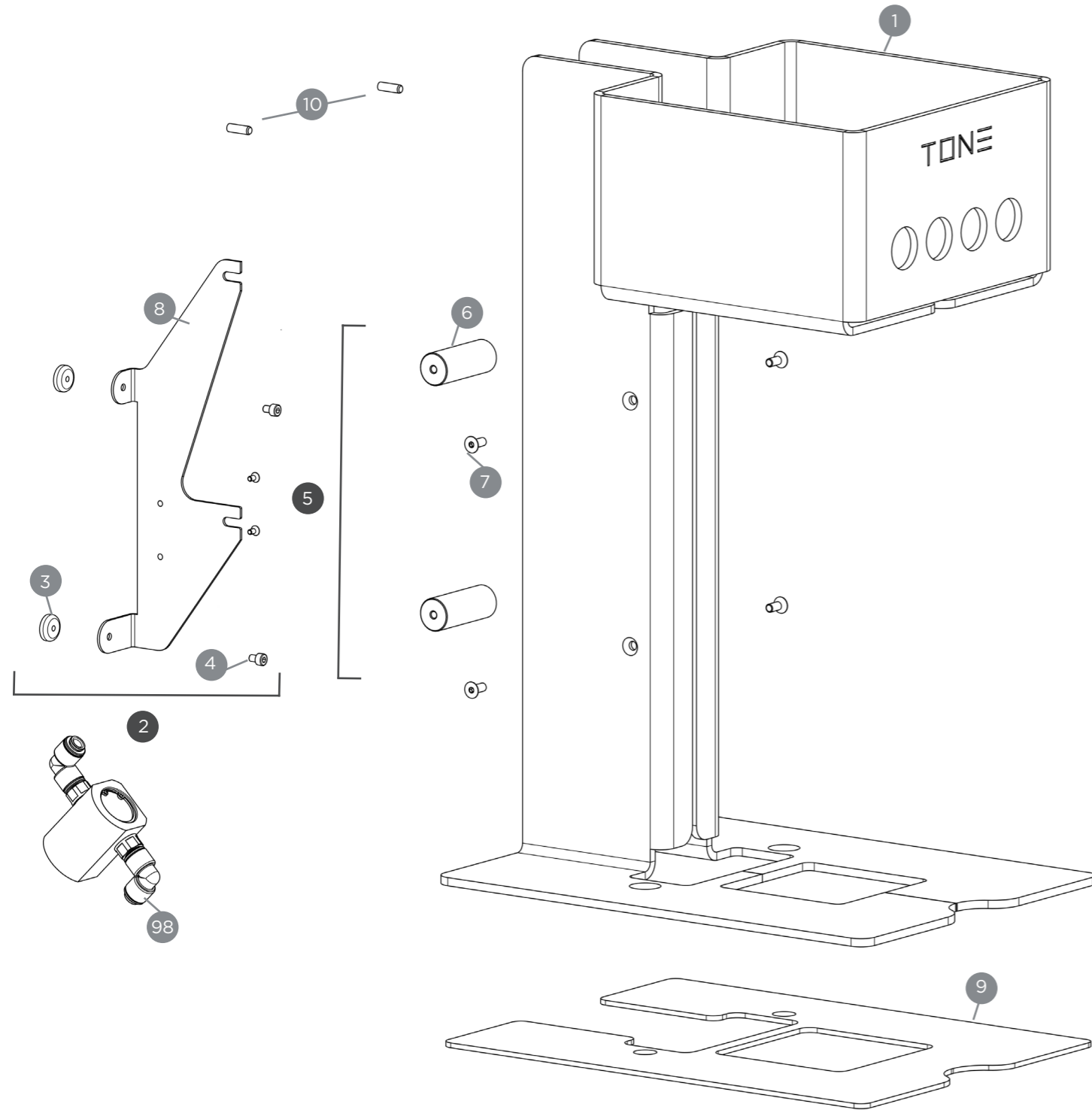


# TONE

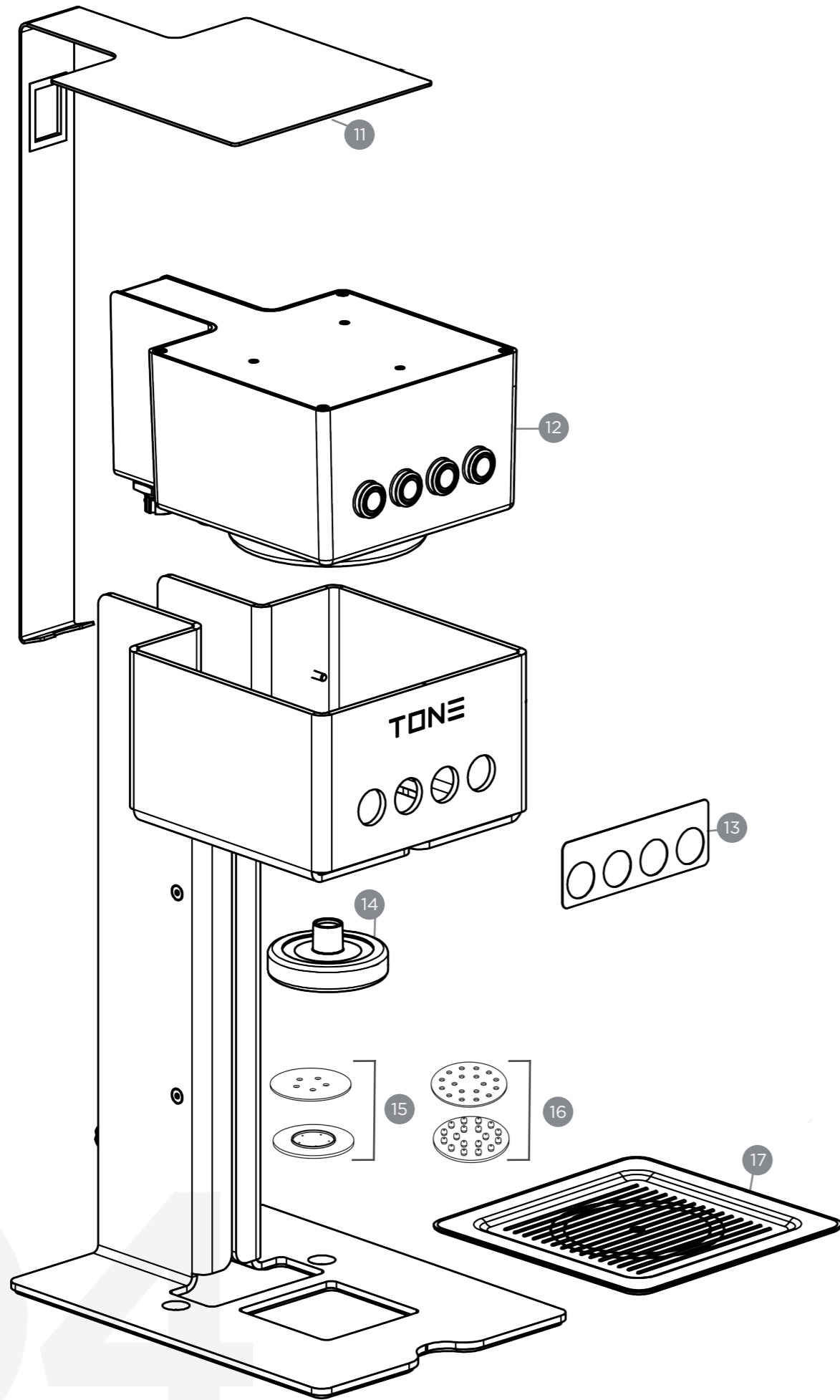
ENERGY EFFICIENT, INTELLIGENTLY DESIGNED TECHNOLOGY  
COMMITTED TO BREWING PERFECTION!



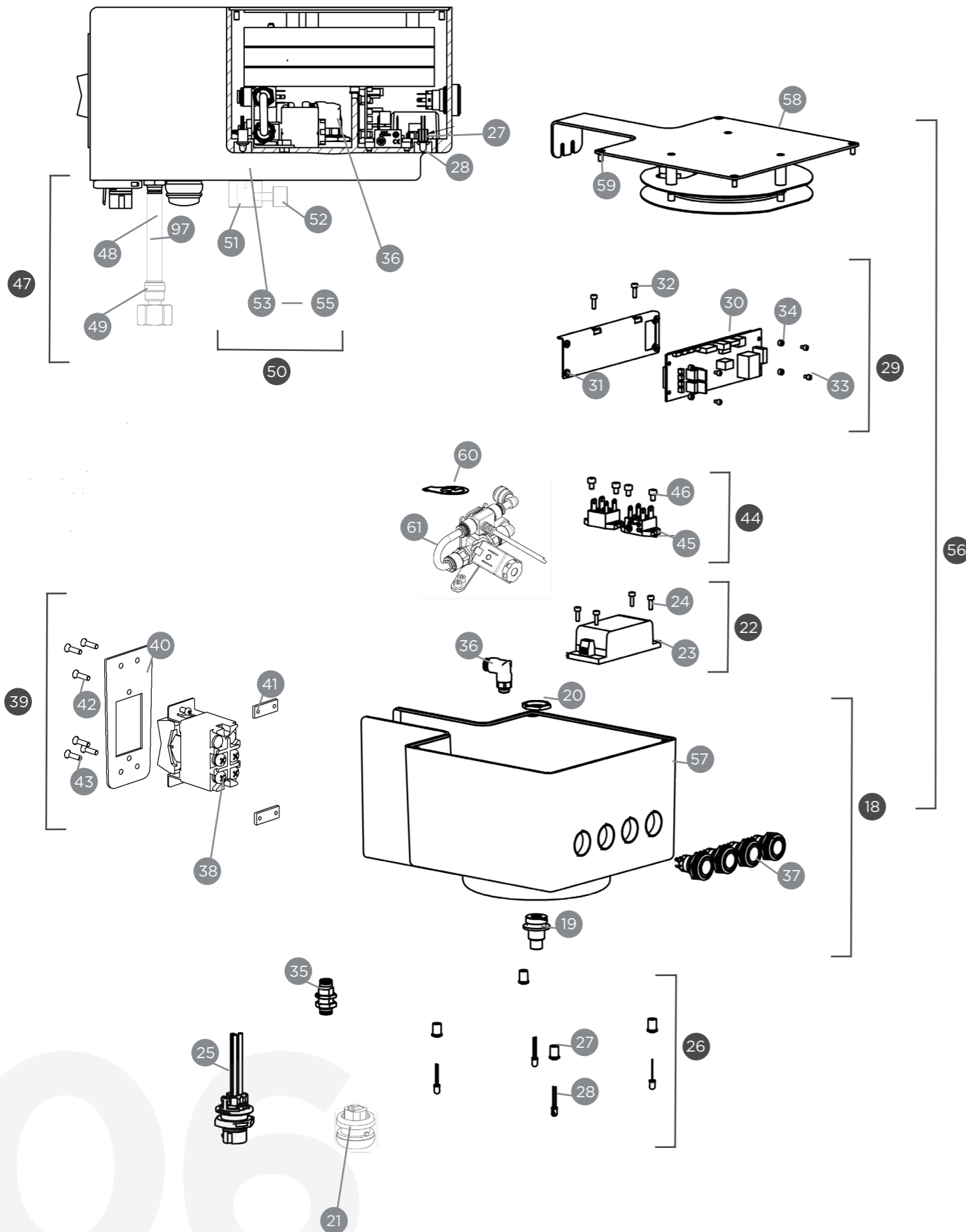
TOUCH  
03



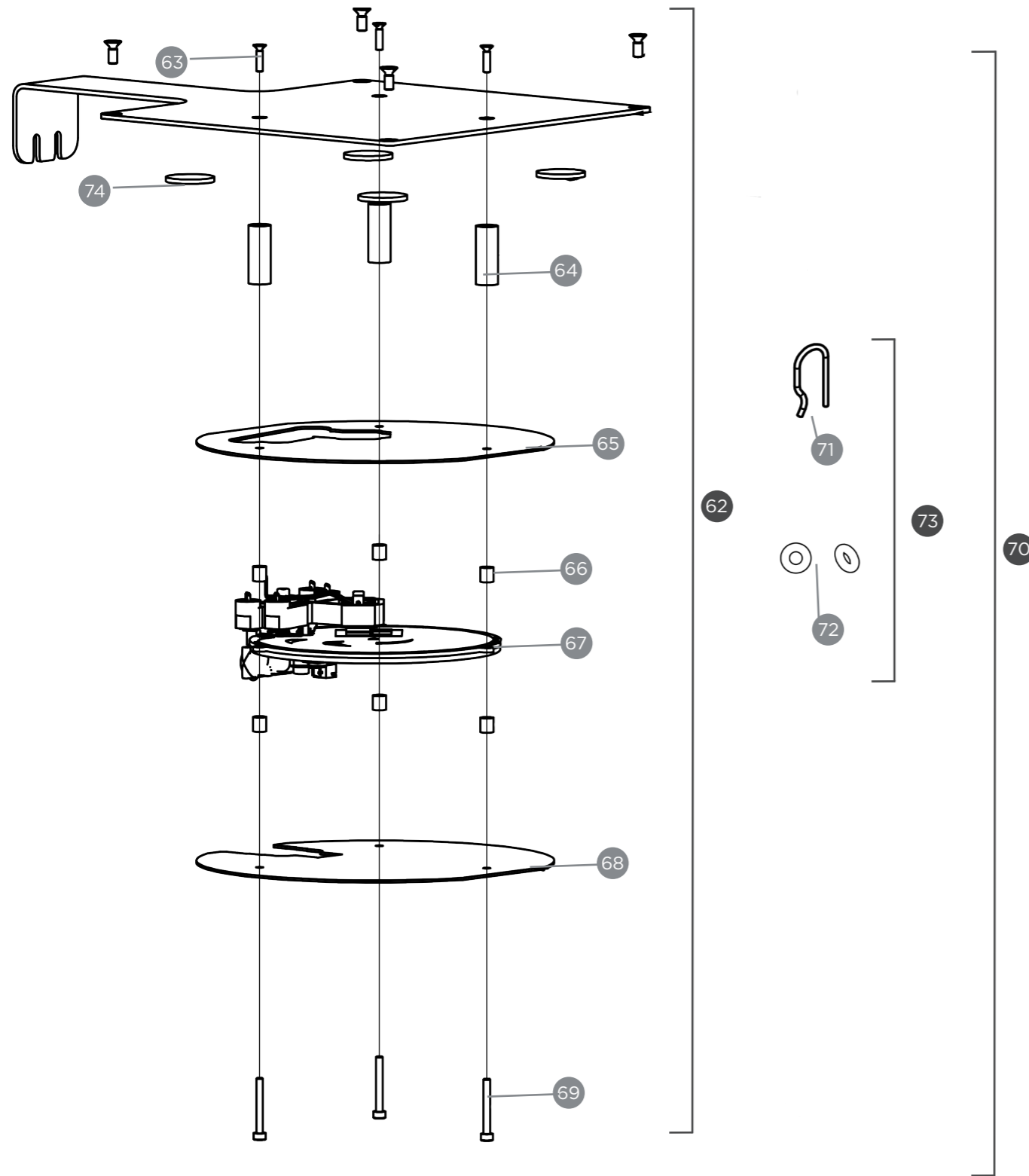
Pos.	Article No.	Description
1	TO-306220_cw	BASE FRAME WHITE
1	TO-306220_cb	BASE FRAME BLACK
2	TO-200558	SET OF MAGNETS Ø16
→ 3		2x MAGNET Ø16
→ 4		2x CYLINDER SCREW M4X6
5	TO-200559	SET OF STABILIZER
→ 6		2x STABILIZER
→ 7		4x COUNTERSUNK M5x12
8	TO-303580_c	BRACKET
9	TO-303918	ANTISLIPMAT PLATE
10	TO-200588	4x GRUB SCREW M5X16
98	TO-200442	DESCALING VALVE INCL. FITTINGS (PAGE 12/13)



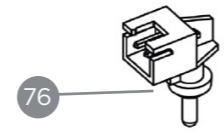
Pos.	Article No.	Description
11	TO-200423	COVER GREY (WHITE)
	→	COVER GREY
	→	WHITE FRAME (MAIN SWITCH)
11	TO-200560	COVER GREY (BLACK)
	→	COVER GREY
	→	BLACK FRAME (MAIN SWITCH)
11	TO-200561	COVER WHITE (BLACK)
	→	COVER WHITE
	→	BLACK FRAME (MAIN SWITCH)
11	TO-200562	COVER BLACK (WHITE)
	→	COVER BLACK
	→	WHITE FRAME (MAIN SWITCH)
12	TO-200421	COMPLETE BLACKBOX (WITHOUT SHOWER HEAD)
13	TO-303555	MAGNETIC BOARD GREY
13	TO-303557	MAGNETIC BOARD WHITE
13	TO-303578	MAGNETIC BOARD BLACK
14	TO-200563	SHOWER HEAD (18+5 HOLES SCREEN INCLUDED) COMPLETE
15	TO-200432	5 HOLES SHOWER SCREEN
16	TO-200480	18 HOLES SHOWER SCREEN
17	TO-303391_B	DRIP TRAY

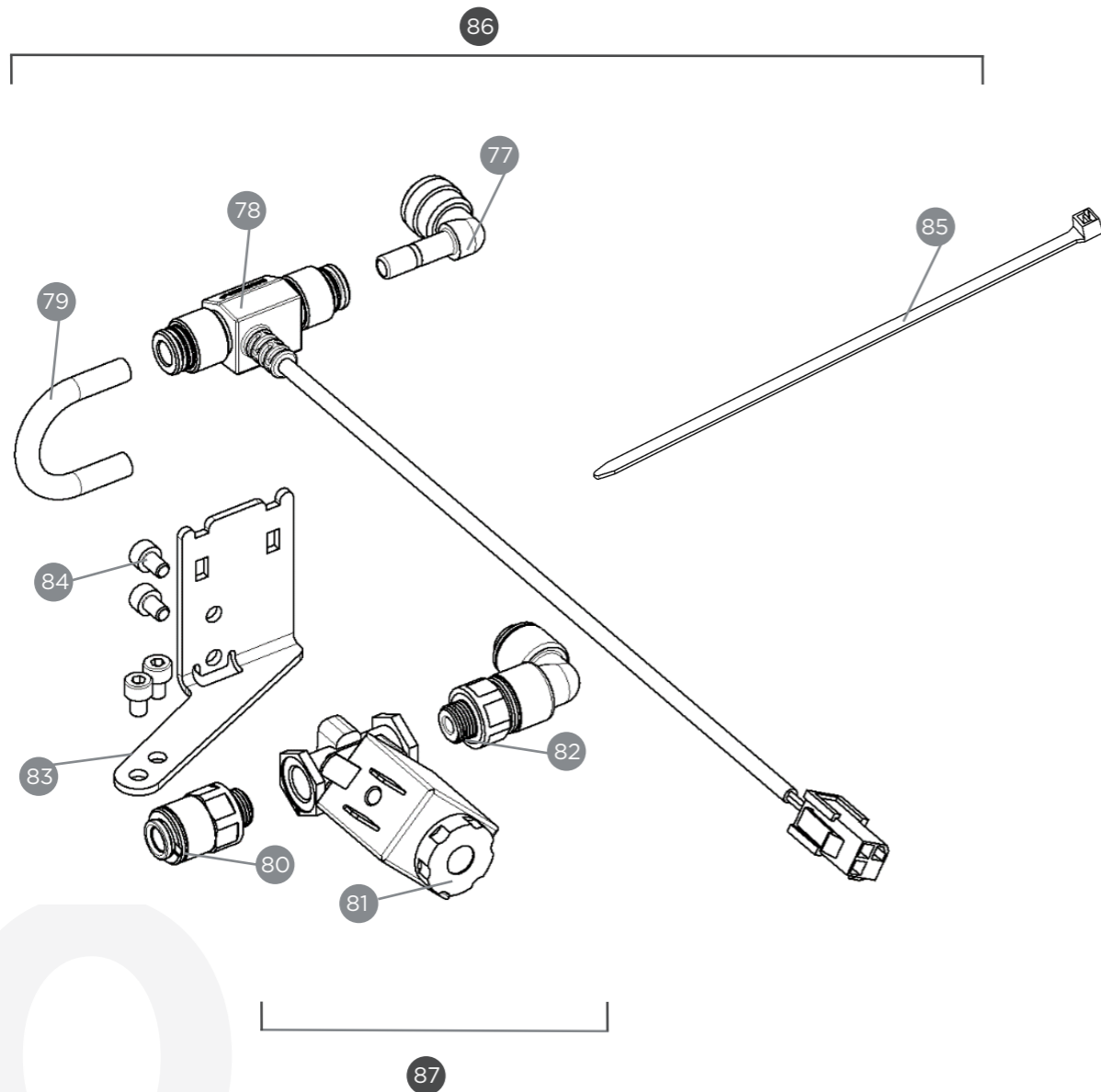
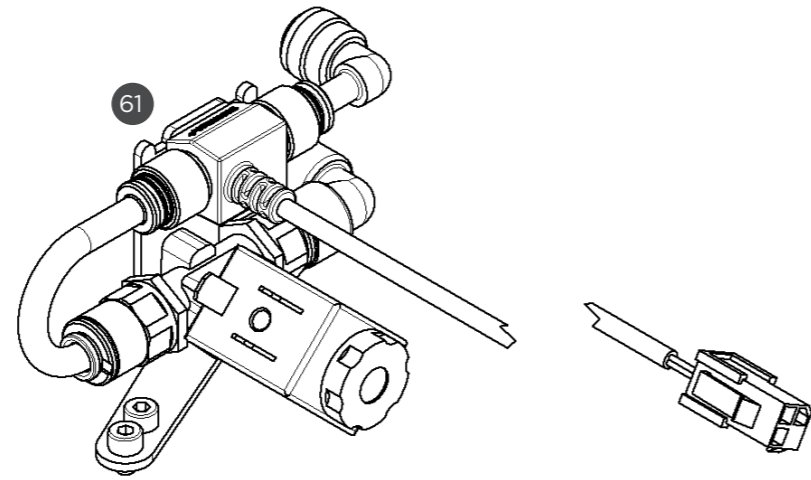


Pos.	Article No.	Description
18	TO-200564	ADPATER SHOWER HEAD
→ 19		SHOWER HEAD ADAPTER
→ 20		LOCK NUT M20X1.5
21	TO-650301	ETHERNET CONNECTION
22	TO-200565	TRANSFORMER
→ 23		TRANSFORMER
→ 24		4x CYLINDER SCREW M3X10
25	TO-630520	ROUND PLUG CONNECTOR / ON DEVICE
26	TO-200566	LED SET
→ 27		4x LED HOLDER
→ 28		4x LED WHITE
29	TO-200567	PCB UNIT COMPLETE
→ 30	TO-250053	PRINTED CIRCUIT BOARD
→ 31		BOARD HOLDER
→ 32		2x CYLINDER SCREW M3X10
→ 33		4x CYLINDER SCREW M2.5X8
→ 34	TO-200592	4x DISTANCE BUSH Ø5X2.7X3
35	TO-550256	BULKHEAD CONNECTION
36	TO-530105	PUSH-IN FITTING 90_6 1-8
37	TO-650299	BUTTON
38	TO-650302	MAINSWITCH
39	TO-200568	SMALL PARTS SET FOR MAIN SWITCH
→ 40		REAR PLATE FOR MAIN SWITCH
→ 41		2x LUG FOR REAR PLATE
→ 42		4x COUNTERSUNK M3X8
→ 43		2x COUNTERSUNK M3X12
44	TO-200569	SOLIDSTATE RELAIS SET
→ 45		2x SOLIDSTATE RELAIS
→ 46		4x CYLINDER SCREW M4X6
47	TO-200582	WATER HOSE SET
→ 48		WATER HOSE (2M)
→ 49		PUSH-IN FITTING 3/8"-6MM
→ 97		CHECK VALVE INCL. FILTER, Ø6MM PUSH-IN
50	TO-200571	CENTERING SLEEVE FOR BBH
→ 51		CENTERING SLEEVE
→ 52		SCREW RIMMED M5X12
→ 53		WASHER M14X2.5
→ 54		NUT M14X1.5
→ 55		PIN Ø1.5X6MM
56	TO-200572	BLACKBOX HOUSING INCL. LID
→ 57		BLACKBOX CAST
→ 58		BLACKBOX LID
→ 59		4x COUNTERSUNK M4X10
60	TO-303571_B	GUARD PLATE
61	TO-200418_B	VALVE NODE COMPLETE

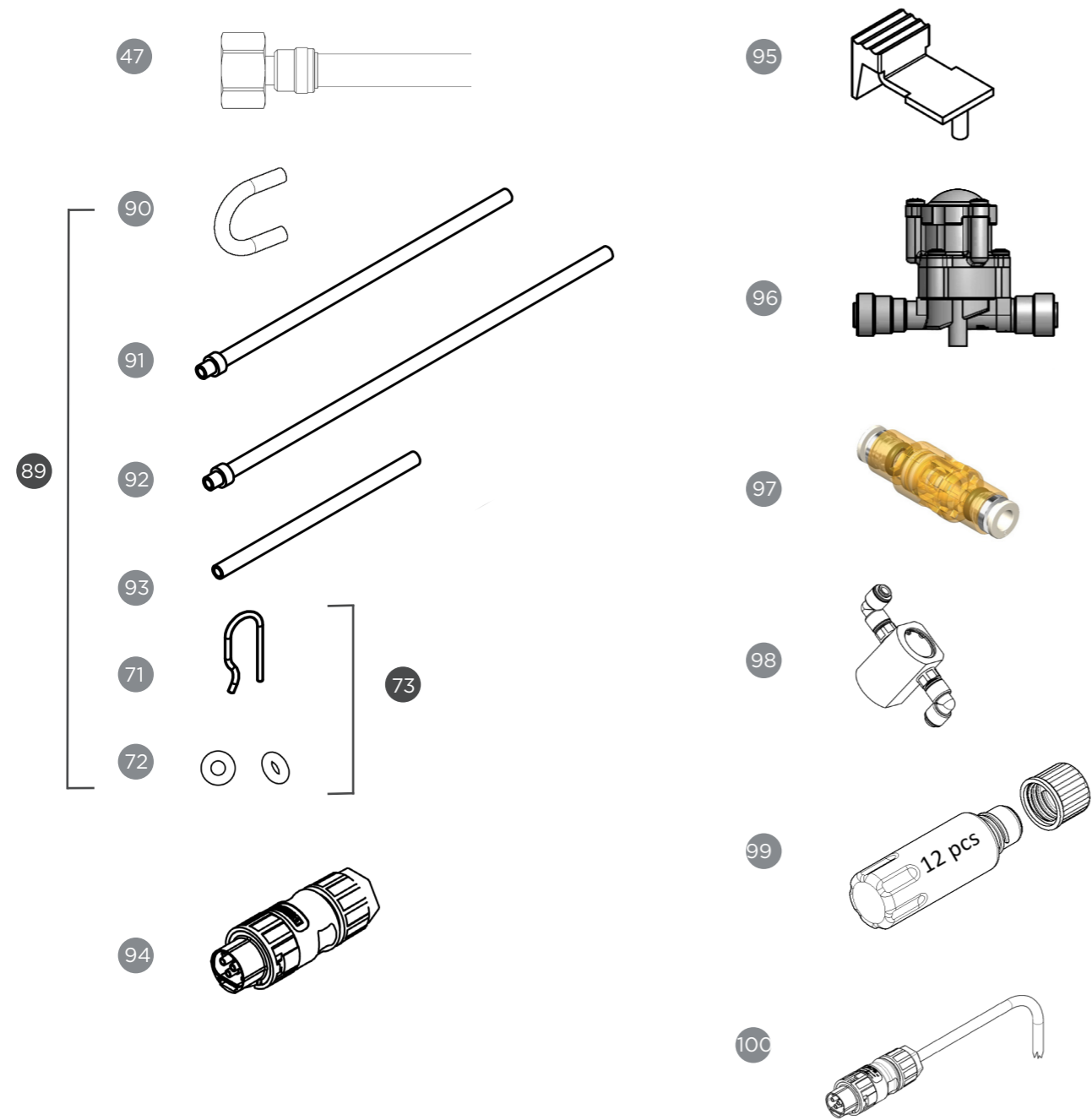


Pos.	Article No.	Description
62	TO-200573	FTH HEATING ELEMENT UNIT (230V)
62	TO-200574	FTH HEATING ELEMENT UNIT (200V Japan)
→ 63		3x COUNTERSUNK M3X12
→ 64		3x DISTANCE BUSH M3 Ø10/26.5
→ 65		METAL SHEET 2 FTH
→ 66		6x DISTANCE BUSH M3 Ø6/6.5
→ 67	TO-600193	FTH HEATING ELEMENT 230V
→ 67	TO-600264	FTH HEATING ELEMENT 200V JAPAN
→ 68		METAL SHEET 2 FTH
→ 69		3x CYLINDER SCREW M3X25
70	TO-200575	SMALL PART SET FOR FTH
→ 63		3x COUNTERSUNK M3X12
→ 64		3x DISTANCE BUSH M3 Ø10/26.5
→ 66		6x DISTANCE BUSH M3 Ø6/6.5
→ 69		3x CYLINDER SCREW M3X25
→ 71		4x CLIP FERRULE D6 FTH
→ 72		4x O-RING Ø6X2 FTH
73	TO-200590	SET FERRULE AND O-RING
→ 71		4x CLIP FERRULE D6 FTH
→ 72		4x O-RING Ø6X2 FTH
74	TO-200576	4x DISCMAGNET Ø20X1.5
75	TO-200586	4x FUSE FTH
76	TO-200587	4x TEMPERATURE SENSOR FTH





Pos.	Article No.	Description
61	TO-200418_B	VALVE NODE COMPLETE
→ 77		PUSH-IN ELBOW FITTING Ø6
→ 78		FLOWMETER
→ 79		PIPE BEND
→ 80		PUSH-IN FITTING Ø6
→ 81		PROPORTIONAL VALVE
→ 82		PUSH-IN ELBOW FITTING G 1/8 Ø6
→ 83		VALVEHOLDER
→ 84		4x CYLINDER SCREW M4X6
→ 85		2x CABLE STRAP
86	TO-200577	FLOWMETER UNIT COMPLETE
→ 77		PUSH-IN ELBOW FITTING Ø6
→ 78		FLOWMETER
→ 79		PIPE BEND
→ 85		2x CABLE STRAP
87	TO-200578	PPV UNIT COMPLETE
→ 80		PUSH-IN FITTING Ø6
→ 81		PROPORTIONAL VALVE
→ 82		PUSH-IN ELBOW FITTING G 1/8 Ø6
88	TO-200579	VALVEHOLDER COMPLETE
→ 83		VALVEHOLDER
→ 84		4x CYLINDER SCREW M4X6
→ 85		2x CABLE STRAP



Pos.	Article No.	Description
47	TO-200582	WATER HOSE SET
→ 48		WATER HOSE (2M)
→ 49		PUSH-IN FITTING 3/8"-6MM
→ 97		CHECK VALVE INCL. FILTER, Ø6MM PUSH-IN
89	TO-200580	PIPE SET
→ 90		PIPE BEND
→ 91		PIPE FTH
→ 92		PIPE SHOWER
→ 93		PIPE SUPPLY
→ 71		4x CLIP FERRULE D6 FTH (SET POS. 74 PAGE 09)
→ 72		4x O-RING Ø6X2 FTH (SET POS. 74 PAGE 09)
94	TO-630521	CABLE PLUG / SOCKET CONNECTOR
95	TO-630525	RELEASE LEVER BLUE (TO-630521)
96	TO-530162	PRESSURE REGULATOR R.P.E Ø6MM PUSH-IN OUTPUT 3 BAR
97	TO-530181	CHECK VALVE INCL. FILTER, Ø6MM PUSH-IN
98	TO-200442	DESCALING VALVE INCL. FITTINGS
99	TO-200581	12x DESCALING BOTTLES
100	TO-200583	POWER CABLE INCL. PLUG CONNECTOR AND RELEASE LEVER
101	TO-630564	CABLE HARNESS

# TONE

---

TONE Kaffeemaschinen AG  
Kasernenstrasse 5  
3600 Thun  
Switzerland

[contact@tone-swiss.com](mailto:contact@tone-swiss.com)  
[www.tone-swiss.com](http://www.tone-swiss.com)

